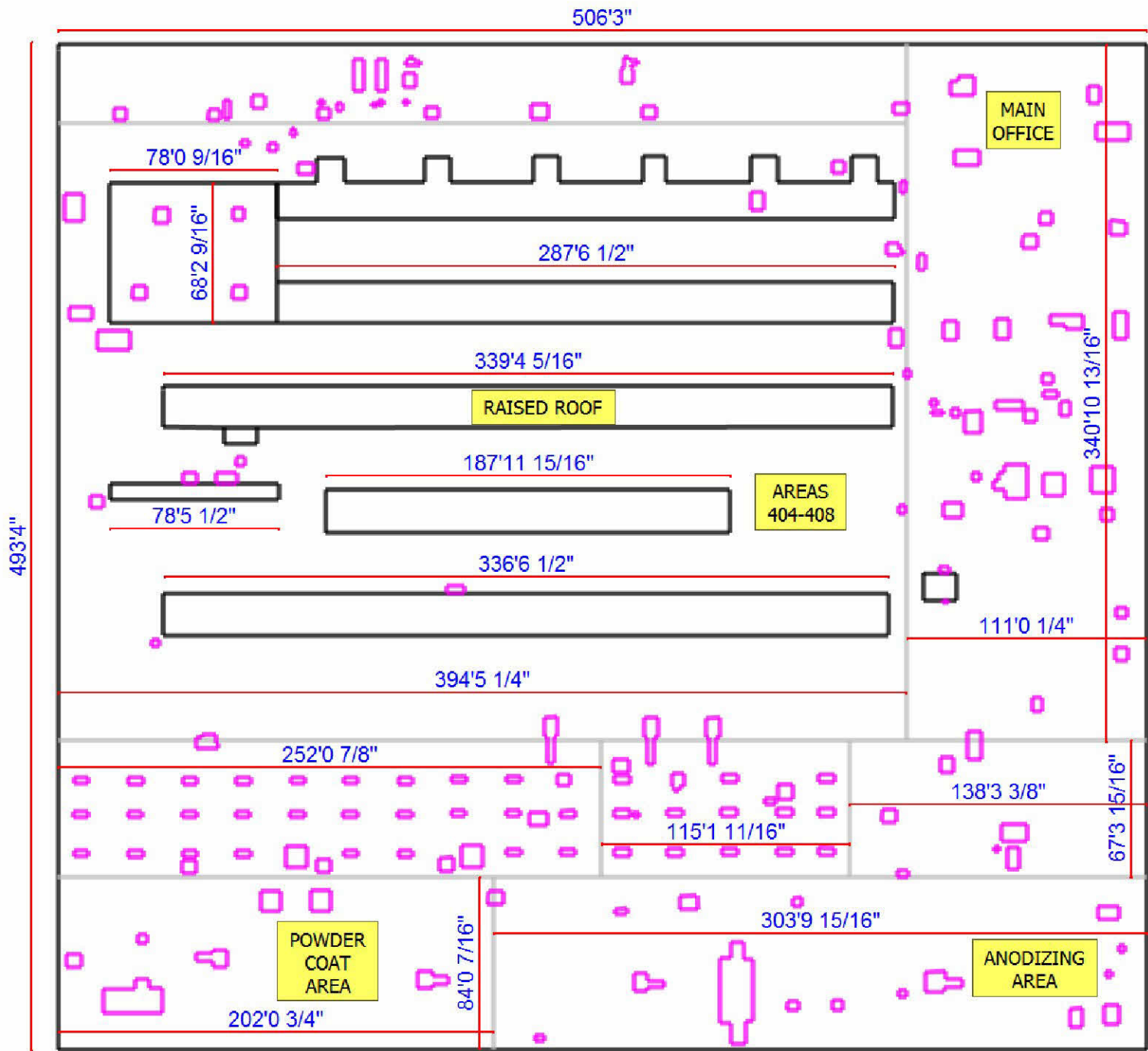
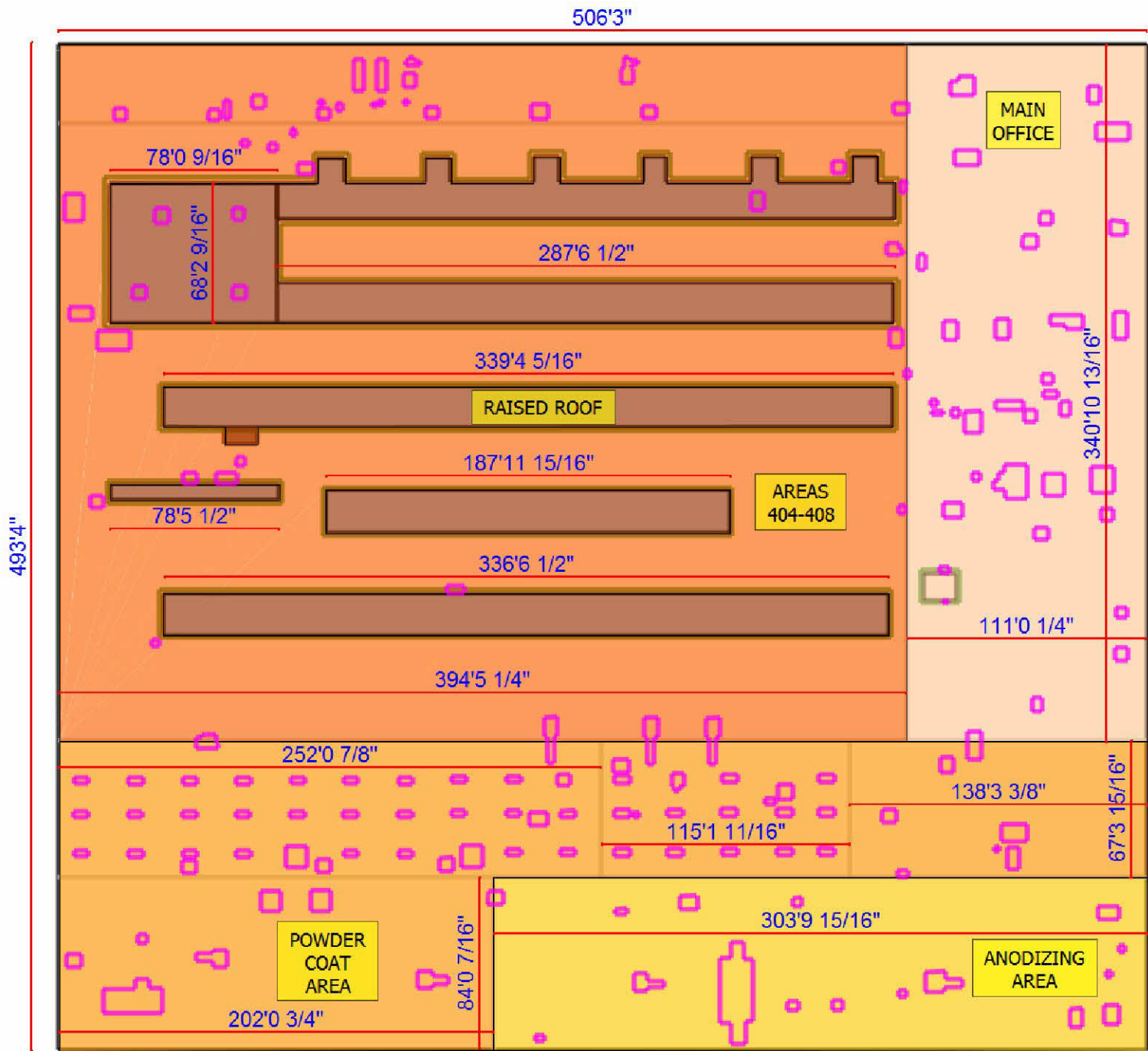


**Sample Commercial Roof  
1234 Somewhere Blvd  
Anywhere, AL 01234  
"Main Building"**

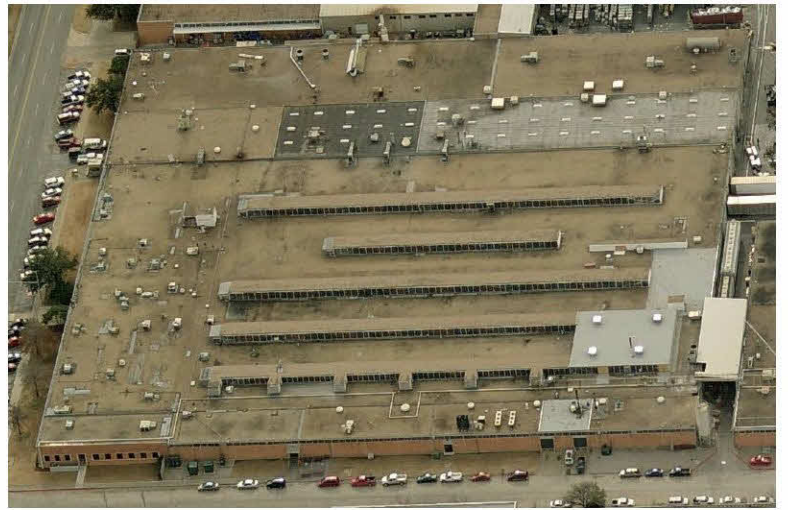
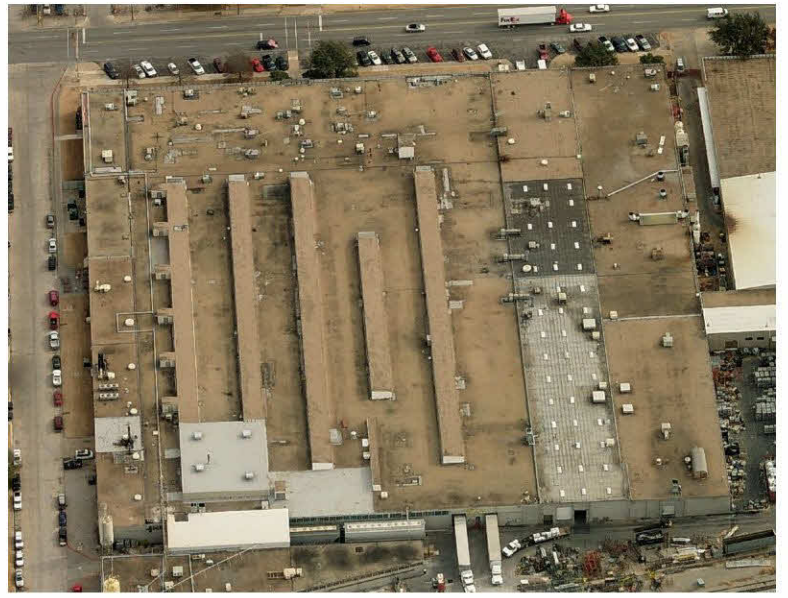
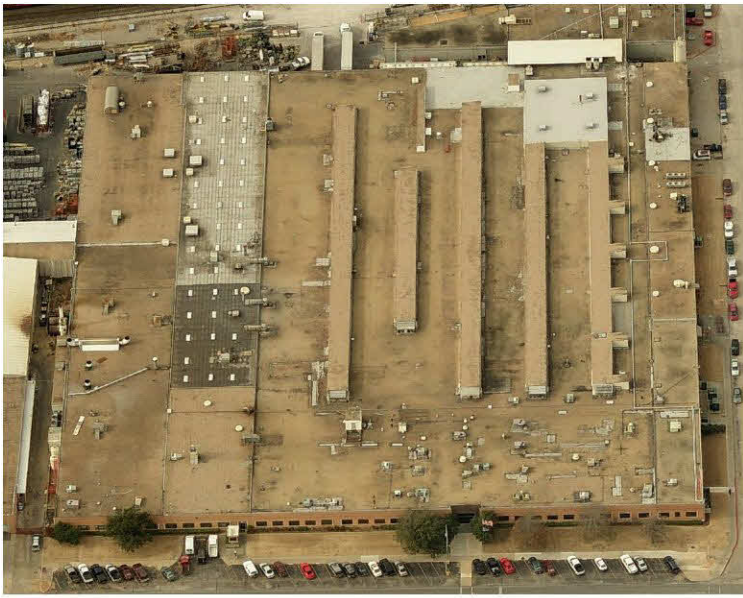
Item	Total	Units	
PERIMETER	5,755.54	FT	
WALL FLASHING	3,755.52	FT	
RTU FLASHING	4,303.05	FT	
MAIN OFFICE AREA	38,143.79	SQ FT	
ANODIZING AREA	25,708.35	SQ FT	
POWDER COATING AREA	50,903.99	SQ FT	
AREAS 404 - 408	99,012.55	SQ FT	
RAISED ROOF AREA	35,401.02	SQ FT	
SQUARES	2,491.70	SQ	
RECOMMENDED WASTE 15%	373.76	SQ	
TOTAL	2,865.46	SQ	



Sample Commercial Roof  
 1234 Somewhere Blvd  
 Anywhere, AL  
 01234(Main Building)



Sample Commercial Roof  
 1234 Somewhere Blvd  
 Anywhere, AL  
 01234(Main Building)



Sample Commercial Roof  
1234 Somewhere Blvd  
Anywhere, AL  
01234(Main Building)